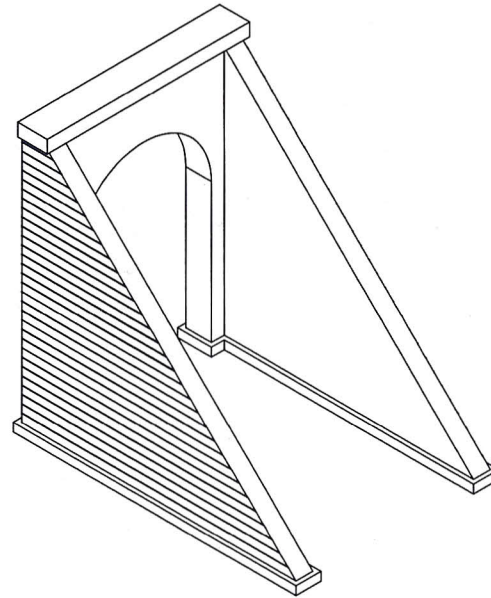


1:4 scale



1:4 scale

Concrete form board lines will be uniform thickness. A file can be used to break the uniformity.

DRAWN BY:		DRAWING NAME:		
DATE	11/22/2010			
CHECKED				
ENG APPR.		SIZE	DRAWING FILE	REV.
MFG APPR.		A	SPtunnelNo2	
		SHEET 1 OF 1		