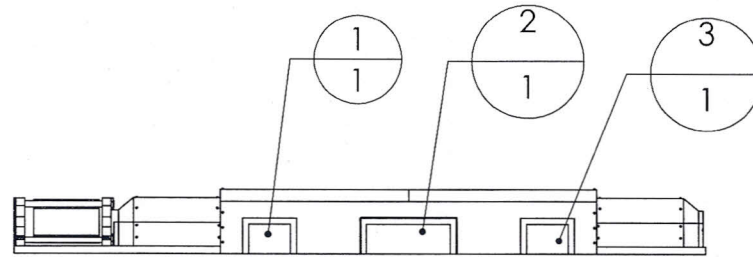
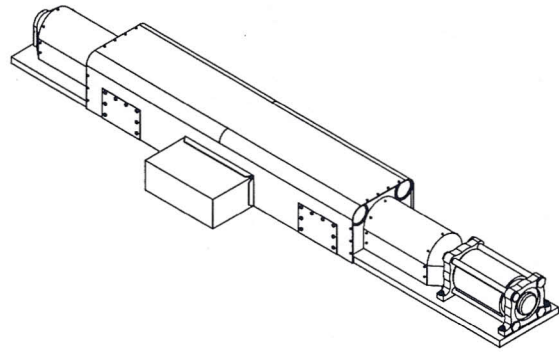
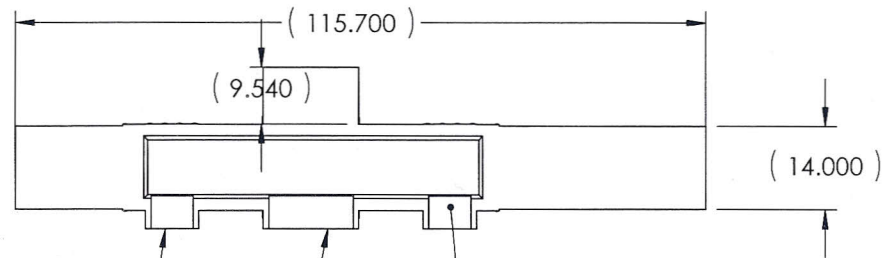


1 and 3 are throw rod areas
2 is for the detection and lock rods



Rail side



Bottom view

